

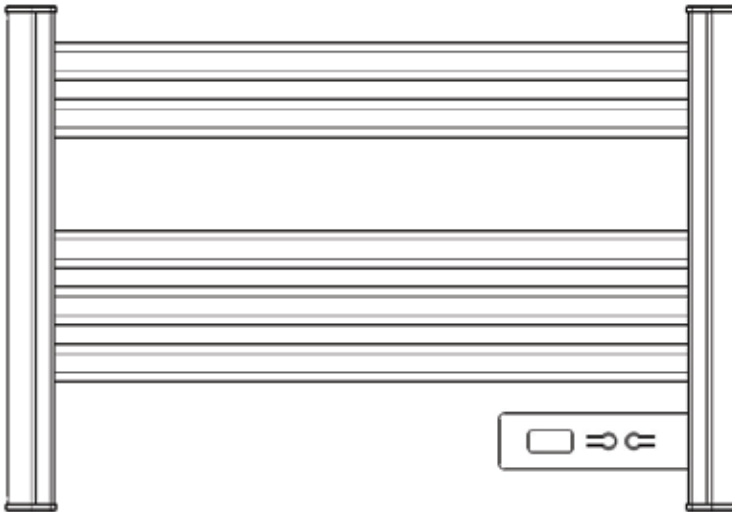
SKU: IH1045 / IH1046

EAN: 5061004711892 / 5061004711908

Model No.: TW-100

Infrared Heating Towel Rail With LED Screen

with BS plug 1.2 m for Bathroom IP24



Features

- **Easy to Operate:** The Infrared Heating Towel Rail is simple to use, you just need to plug it into the outlet.
- **Delicate Design:** The Infrared Heating Towel Rail is made of white lacquered steel with a modern design which is marked by an extraordinary and elegance of style and goes perfectly with any bathroom style.
- Touch screen intelligent control Infrared Heating Towel with LED display Timing function (Timed Shutdown work: 1-8 hours, press power button to switch on and off, press timer button to adjust the hour). The temperature sensor is located at the bottom, which can automatically adjust the temperature according to the room temperature
- **Space-Saving:** This wall mounted infrared heating towel rail can help you save much space with compact design, and it is perfect for your apartment, dorm, and any other limited space.
- **Visual Control:** Infrared Heating Towel Rail with LED Display, Timing Function, Electrical Wire Heating, and Overheating Protection Included.

Technical Specification

SKU	IH1045 (White Colour) IH1046 (Black Colour)
Model No.	TW-100
Rated Voltage	220V-240V 50-60Hz
Power	100W
Outer frame	aluminum spray paint
Screen	Push Button to switch on/off and Set timer from 1-8h
Temperature	5-40°, working according to the room temp
Waterproof Level	IP24
Product size	550*37*410mm

Product Net weight	1.1kg
Heating Element	heating wire inside
Cable length	1.3m
Outer cable length	1.2m
Installation	Wall Mounted
Applicant	for bathroom
Warranty	1 year
Certificate	CE ROHS ERP

Attention

- Carefully read these instructions before using the appliance for the first time and keep it for future enquires
- This appliance is not intended for use by persons (including children) with reduced physical, sensory or mental capabilities, or lack of experience and knowledge, unless they have been given supervision or instruction concerning use of the appliances by a person responsible for their safety.
- Keep plastic bags and other packaging materials out of the reach of children. They may be potentially dangerous.
- Do not plug in before making sure the voltage on the rating plate and that of your household are the same.
- Make sure the base of the plug is adequately earthed.
- Do not place the appliance close to showers, bathtub, pools, etc.
- Do not submerge the appliance in water or any other liquids.
- Don't allow children play with the appliance. Keep the appliance out of the reach of children.
- Use it always with the elements in upright position.
- The external parts of the appliance get hot during its use; avoid touch them until the appliance gets cold.
- Do not place the appliance under a plug.

- Do not place the appliance near inflammable objects or products
- When you use it for the first time, leave the heater on for 2 or 3 hours in the maximum temperature position in a ventilated place, in order to disperse the initial " new" smell.
- The installation of this appliance on the wall of a bathroom always must be done at a distance where no person in the shower or in the bath may touch it or switch it on.
- It is normal to hear some noises caused by the oil heating up or when cooling. Do not use the thermal heater directly on the floor without placing the legs.
- If the cable is damaged, it must be replaced by a qualified electrician. heater is not located immediately below a socket- outlet
- WARNING - This appliances is intended only for drying textiles washed in water
- WARNING: In order to avoid a hazard for very young children, this appliance should be installed so that the lowest heated rail is at least 600 mm above the floor.
- If the supply cord is damaged, it must be replaced by the manufacturer, its service agent or similarly qualified persons in order to avoid a hazard.

This appliance can be used by children aged 8 years and above and by persons with reduced physical, sensory, or mental capabilities, or lack of experience and knowledge, if they have been given supervision or instruction regarding the safe use of the appliance and understand the hazards involved. Children shall not play with the appliance. Cleaning and user maintenance shall not be done by children without supervision.

Children under the age of 3 should be kept away unless continuously supervised.

Children aged from 3 years to less than 8 years shall only switch on/off the appliance if it has been placed or installed in its intended normal operating position, and they have been given supervision or instruction concerning the safe use of the appliance and understand the hazards involved. Children aged from 3 years to less than 8 years shall not plug in, regulate, clean the appliance, or perform user maintenance.

CAUTION

Some parts of this product can become very hot and cause burns. Please exercise particular caution and attention in areas where children and vulnerable people are present.

Heater shall not be located in front of a socket- outlet.

This towel rails only use for warm and dry towels

Before the installation, please make sure to meet the below requirements:

1. The control panel must be in the bottom position during installation.
2. The distance between the bathtub and the appliance should be at least 60 cm.
3. The distance between the top of the house and the appliance should be at least 15 cm.
4. The distance between the ground and the appliance should be at least 80 cm.

Thank you for choosing our towel rack. Before using the appliance, please carefully read these instructions to ensure its correct usage.

Following the enclosed safety precautions will significantly reduce the risk of death, injury, and electrical shock. Keep this manual in a safe place for future reference, along with the completed warranty card, purchase receipt, and package. If applicable, kindly pass these instructions on to the next owner of the appliance. Always adhere to basic safety precautions and accident prevention measures when using an electrical appliance. We assume no liability for customers who fail to comply with these requirements.

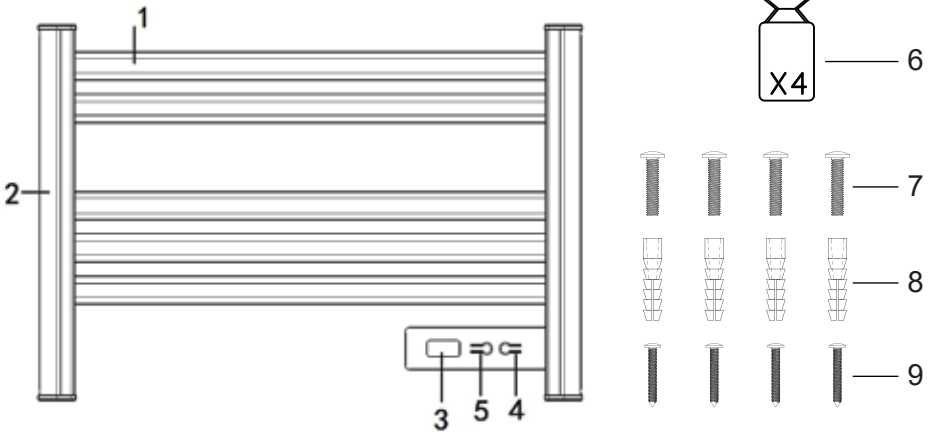
Security Instructions

When using any electrical appliance, basic safety precautions should always be observed.

- Carefully read these instructions before using the appliance for the first time and keep them for future reference.
- This appliance is not intended for use by persons (including children) with reduced physical, sensory, or mental capabilities, or lack of experience and knowledge unless they have been given supervision or instruction concerning the safe use of the appliance by a person responsible for their safety.

- Keep plastic bags and other packaging materials out of the reach of children as they can be dangerous.
- Before plugging in, ensure that the voltage on the rating plate matches that of your household.
- Ensure the electric socket is adequately grounded (earthed).
- Keep the appliance away from showers, bathtubs, pools, etc.
- Do not submerge the appliance in water or any other liquids.
- Do not let children play with the appliance. Keep it out of their reach, and always use it with the elements in the upright position. The external parts of the appliance may get hot during use, so avoid touching them until the appliance cools down.
- Do not place the appliance under a socket.
- Do not place the appliance near inflammable objects or products.
- When using it for the first time, leave the heater on for 2 or 3 hours at the maximum temperature setting in a ventilated place to disperse the initial 'new' smell.
- If this appliance is installed on a bathroom wall, make sure it is out of reach for anyone in the shower or bath to avoid accidental contact or switching it on.
- It is normal to hear some noises caused by the oil heating up or cooling.
- Do not use the thermal heater directly on the floor without attaching the legs.
- If the cable is damaged, it must be replaced by an Authorized Service Center.

Parts List

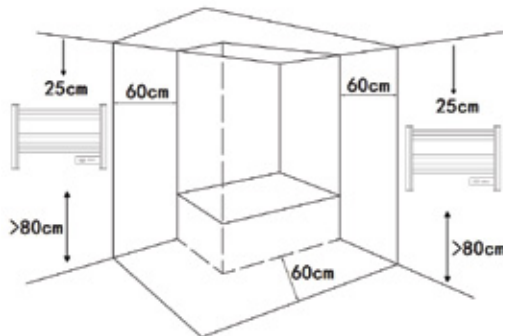


- | | |
|---------------------------|------------------|
| 1. Heating bars | 6. Wall brackets |
| 2. Side supports | 7. Fixing screws |
| 3. Temperature indicator | 8. Wall plugs |
| 4. 1h heating time button | 9. Wall screws |
| 5. On/Off button | |

Assembly Instructions

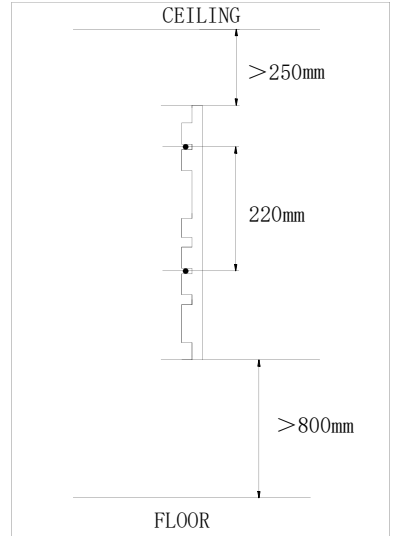
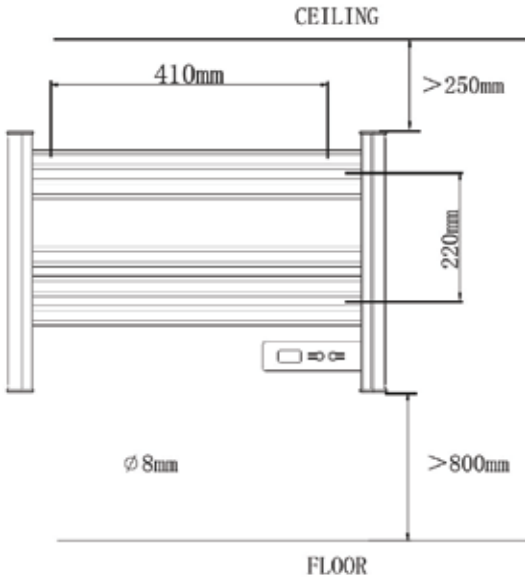
Before installation, check the following:

1. The control panel must be in the lower position during installation.
2. The distance between the bathtub and the appliance must be at least 60 cm.
3. The distance between the top of the house and the appliance must be at least 25 cm.
4. The distance between the floor and the appliance must be at least 80cm.

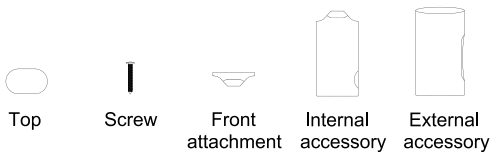


Facility

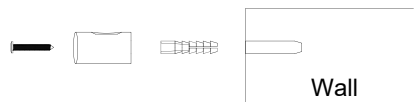
1. Mark on the wall the 4 holes to be made with the drill. The horizontal separation between the holes must be 410mm and vertically 220 mm.
2. Once the holes have been marked, drill the 4 holes of 8 mm diameter.



3. Detach the wall brackets as shown in the image.

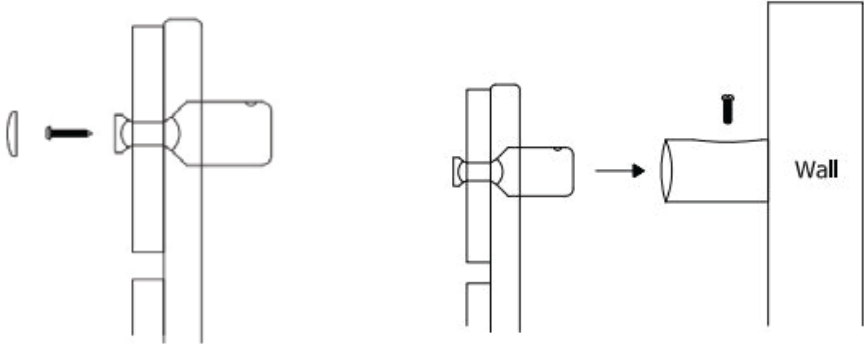


4. Insert the plug into the wall socket, then attach the outer accessory to the wall brackets and use the wall screw to fix the accessory properly. Repeat the step for the rest of the holes.



5. Fix the internal accessories and the 4 front accessories to the towel rack with the screws, then attach the decorative cover so that the screw is not visible.

6. Once the accessories are attached to the towel rack, insert the internal accessories into the external ones on the wall, adjust the distance as desired, and fix the securing screws to ensure it is well secured.



HOW TO USE

How to operate the Appliance:

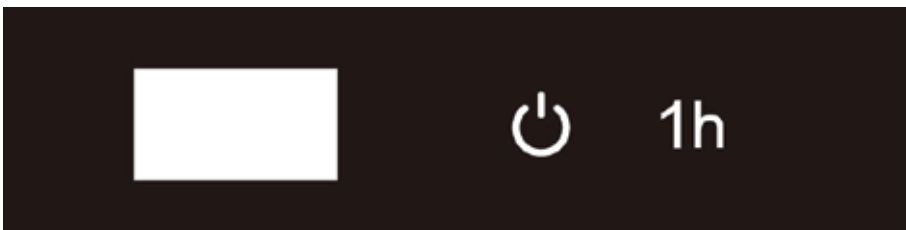
1. Continual Heating Mode:

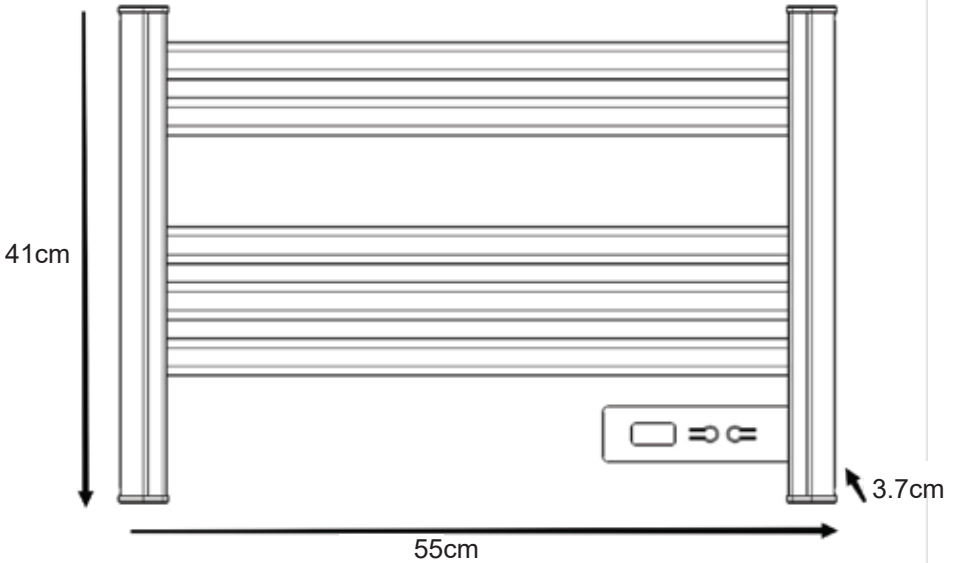
When you press the power button, the appliance worked in the “Continual Heating” mode, and the appliance will always heating until you turn it off.

2. Towel Warming Mode:

Press the power button, and then press the “1H” button. The appliance will enter the “Towel Warming” mode with a timer set for 1 hour. Press the '1H' button again if you want to adjust the timer from 1 to 8 hours. The appliance will automatically stop after the selected time period (1 - 8 hours).

The LED screen always shows the room temperature





CLEANING

- Always switch off the power and let the appliance cool down before cleaning.
- Use a soft cloth to carefully wipe the product surface.
- Do not use an abrasive material to wipe it, to avoid damaging the product surface.

Do not dispose of electrical appliances as unsorted municipal waste, use separate collection facilities. Contact your local government for information regarding the collection systems available. If electrical appliances are disposed of in landfills or dumps, hazardous substances can leak into the groundwater and get into the food chain, damaging your health and well-being. When replacing old appliances with new ones, the retailer is legally obligated to take back your old appliance for disposal at least free of charge.



Stuck? Confused?

Contact our Technical Support team on:

T: +44 (0)1291 446 105 E: support@ener-j.co.uk

Lines are open Mon - Fri (8am to 4pm)

Imported and Marketed By:

ENERJ SMART LTD.

Unit 11D Cosgrove Way, Luton LU11XL,
United Kingdom